

Natur in Form

The New Piazza Family

Premium co-extruded decking programme



Table of contents

Piazza family

- 4 Best Performance
- 6 Piazza Prima
- 8 Piazza Mondo
- 12 Piazza Pro
- 14 Making the right choice

Installation

- 16 System and accessories

Good to know

- 18 Sustainability
- 20 About NaturinForm
- 22 Service
- 24 Important Information



Piazza Prima

Piazza Mondo

Piazza Pro

NaturinForm, based in Bavaria, Germany, is one of Europe's leading manufacturers of composite decking. In the Piazza product range of co-extruded decking boards, you will find the right decking board, no matter if you have a large commercial project, or a beautiful outdoor space at home in mind. All the Piazza decking boards are made in Germany, have a hard wearing and weather resistant surface layer. All the boards come with an extended manufacturer's guarantee. Explore the new Piazza family now!



High Performance
Thanks to co-extrusion technology



100% recyclable

Made from up to 70% PEFC-certified wood fibers and approx. 30% high performance polymer

Best performance



Extremely resilient

The boards feature a hard wearing surface layer and class leading strength properties. The Piazza range is designed to last.



Ultra low maintenance

With long term stain resistance guaranteed, the decking will normally only require a periodic wipe down with water and detergent to keep its looks. High-pressure cleaner can be used.



Colours that last

Enjoy lasting beautiful natural colour shades with low maintenance efforts. Thanks to the UV-resistant coating, the colours of the Piazza family show long-term stability.



Zero-degree slope possible

Piazza Family decking boards can be installed on open, well-ventilated terraces (without joint profile tube) with a 0% slope.



Beautiful wood look

All decking boards are manufactured with a wood grain texture which is barefoot-friendly and hard-wearing, and provides safe footing both under wet and dry conditions.



Up to 25-year warranty

We offer a warranty of up to 25 years on the decking boards in the Piazza family.



A photograph of a wicker chair with a light-colored cushion on a wooden deck. The deck is made of light-colored wooden planks. In the background, there is a wooden fence, a stone wall, and various plants, including purple and yellow flowers. A green horizontal bar is positioned above the main title.

Piazza Prima

The *Piazza Prima* combines beautiful looks and high performance in a streamlined profile. It is perfectly suited for private outdoor areas.

Colours



Oak Brown



Royal Elm



Nutmeg



Nordic Ash



Graphite Grey



Streaked Ebony

Piazza quality in a compact format

The *Piazza Prima* offers many of the benefits of the other boards in the Piazza range in a streamlined profile that is ideal for residential decks. The finely embossed surface structure and natural colour shades provide a beautiful wood look. The 360 degree surface coating offers long lasting colours, low maintenance and a hardwearing surface.



All technical specifications can be found in the overview on page 15.

Characteristics

360 degree coating

Highly resistant to stains

High colour stability and UV resistance

Good scratch resistance

PVC-free & EN-71-3, suitable for toys

Non-brushed surface: child friendly & easy to clean

PEFC-certified

100 % recyclable

Application

Private

Zero-degree slope possible

Joist spacing: up to 40 cm

Guarantee*

20 years for private applications

*Covering colour durability, stain resistance and structural integrity.

A photograph of an outdoor pool deck. In the foreground, there are colorful children's toys on the grey wooden deck: a blue and yellow ring rattle, a green and orange ring rattle, and a colorful fish-shaped rattle. The deck leads to a swimming pool with clear blue water. In the background, there are lounge chairs, a green patio umbrella, and a view of mountains under a blue sky with some clouds.

Piazza Mondo

For all those who appreciate quality, durability and timeless design – no matter if commercial projects or perfect outdoor living at home.

Colours



Cream White (monochrome)



Ivory



Californian Oak



Oak Brown



Ipé Nuancen

*Colour play in shades of brown
(see installed surface view:
page 10–11)*



Royal Elm



Graphite Grey



Streaked Ebony

The perfect all-rounder

The combination of classic Piazza design, high functionality and robust quality makes the *Piazza Mondo* a real all-rounder. It is available in the tried and tested NaturinForm decking board formats of 140 × 21 mm and is intended for private garden areas as well as commercial applications, for example, hotel terraces, restaurant areas or public facilities. Thanks to its high colour stability and UV resistance, it keeps its attractive looks over time. The resistant surface can easily be cleaned and is impervious to stains and dirt.



approx. 140 × 21 mm

All technical specifications can be found in the overview on page 15.

Characteristics

360 degree coating

Highly resistant to stains

High colour stability and UV resistance

Good scratch resistance

PVC-free & EN-71-3, suitable for toys

Non-brushed surface: child friendly & easy to clean

PEFC-certified

100 % recyclable

Application

Commercial and private

Zero-degree slope possible

Joist spacing: up to 40 cm

Guarantee*

20 years for private applications

10 years for commercial applications

*Covering colour durability, stain resistance and structural integrity.

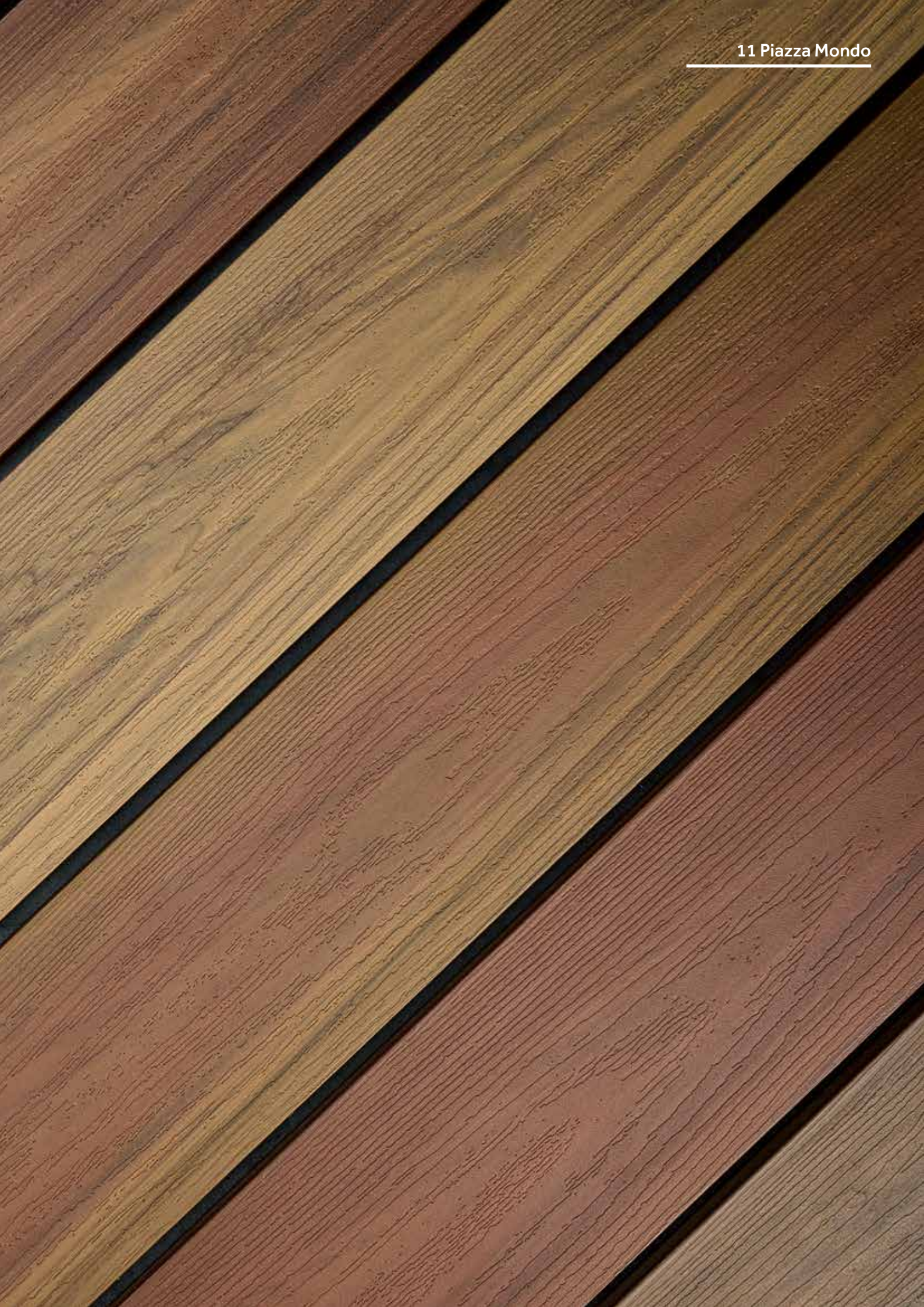
Exotic. Nuanced. Ipé.

With Ipé Nuances –
the natural warm
colour play of exotic
woods on your deck.

Ipé colour play

The surfaces of NaturinForm inspire with their particularly natural wood appearance. *Piazza Mondo* with its *Ipé Nuances* reflects the diverse colour play of natural exotic woods and corresponds to nature. Thanks to the mixture of different shades and color gradients, every terrace in *Ipé Nuances* is unique.







Piazza Pro

By professionals for professionals.
The high performance decking board for
commercial large-scale projects.

Colours



Ivory



Californian Oak



Royal Elm



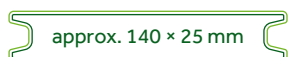
Silver Teak



Streaked Ebony

The ultimate Piazza board

With its compelling robust 360 degree coating and its 25 mm thick full profile, the *Piazza Pro* is the strongest decking board of the *Piazza* family. Its surface texture is resistant to UV radiation so that its colour remains stable also in the long run. The innovative advanced coating offers enhanced resistance to moisture, stains and scratches – for lasting beautiful surfaces with very low maintenance efforts. The *Piazza Pro* is the perfect decking board for exceptionally high loads in public and heavily frequented areas such as recreational facilities. Its superior strength properties enable the board to be installed with up to 50 cm spacing between the substructure joists.



All technical specifications can be found in the overview on page 15.

Characteristics

360 degree coating

Highly resistant to stains

High colour stability and UV resistance

Enhanced scratch resistance

PVC-free & EN-71-3, suitable for toys

Non-brushed surface: child friendly & easy to clean

PEFC-certified

100 % recyclable

Application

Commercial and private

Zero-degree slope possible

Joist spacing: up to 50 cm

Guarantee*

25 years for private applications

10 years for commercial applications




*Covering colour durability, stain resistance and structural integrity.

The natural looking Piazza decking will keep its looks over the years with the minimum of maintenance.



Scan
now & order
samples free
of charge

Making the right choice

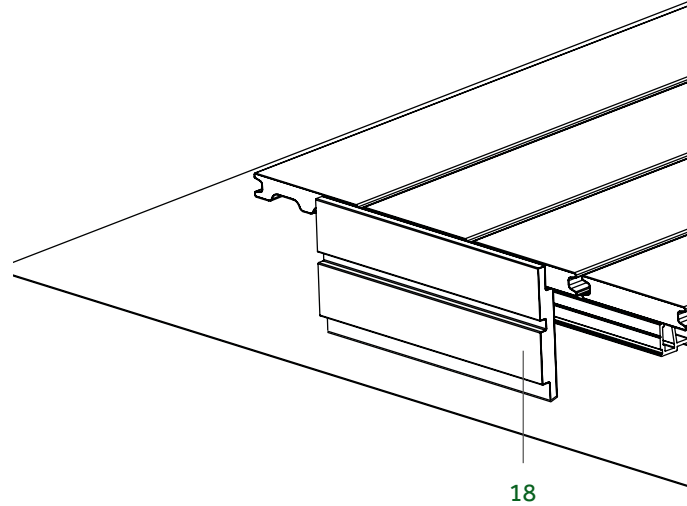
	Piazza Prima  approx. 140 × 19 mm	Piazza Mondo  approx. 140 × 21 mm	Piazza Pro  approx. 140 × 25 mm
Specifications			
Version	Co-extruded	Co-extruded	Co-extruded
Surface	Wood look finely embossed	Wood look embossed	Wood look embossed
Decking width	Approx. 140 mm	Approx. 140 mm	Approx. 140 mm
Decking thickness	Approx. 19 mm	Approx. 21 mm	Approx. 25 mm
Weight per metre of decking	Approx. 2.95 kg	Approx. 3.23 kg	Approx. 3,88 kg
Standard lengths	4 / 5 / 6 m	4 / 5 / 6 m	4 / 5 / 6 m
Special lengths 2–6 m	Yes	Yes	No
Characteristics			
Coating	360 degree	360 degree	360 degree
Scratch resistance	Good	Good	Enhanced
Slip resistance class	R9	R10	R10
Recyclability	100 %	100 %	100 %
Application			
Can be installed on one side	Yes	Yes	Yes
Private applications	Yes	Yes	Yes
Public applications	No	Yes	Yes
Zero-degree installation*	Possible for open terraces (without joint profile tube)*	Possible for open terraces (without joint profile tube)*	Possible for open terraces (without joint profile tube)*
Joint width	Approx. 7,5 mm	Approx. 7,5 mm	Approx. 7,5 mm
Joint profile tube	Approx. Ø 14 mm	Approx. Ø 14 mm	Approx. Ø 18.5 mm
Max. joist to joist distance (clear opening)	40 cm	40 cm	50 cm
Breaking strength	450 kg/dm ²	500 kg/dm ²	500 kg/dm ²
Guarantee**			
Private applications	20 years	20 years	25 years
Commercial applications	–	10 years	10 years

* We recommend a slope of 1.5 % to 2 % for optimum drainage.

** Covering colour durability, stain resistance and structural integrity. The provisions of the guarantee certificate apply.

Installation

We offer you everything you need for your project with our comprehensive installation system.



High performance system

Under optimum conditions, a terrace can be used for decades. To achieve this, the sub-structure and accessories are as important as the decking boards. NaturinForm's range of composite, steel and aluminium accessories have been developed with over twenty years of experience and expertise, and ensure the guaranteed life of your decking.

The comprehensive NaturinForm installation system includes hidden fastening, durable and fast to install, inter-locking sub-structure framing and feet, edging, drainage, and ventilation, as well as ground spotlights integrated lighting.



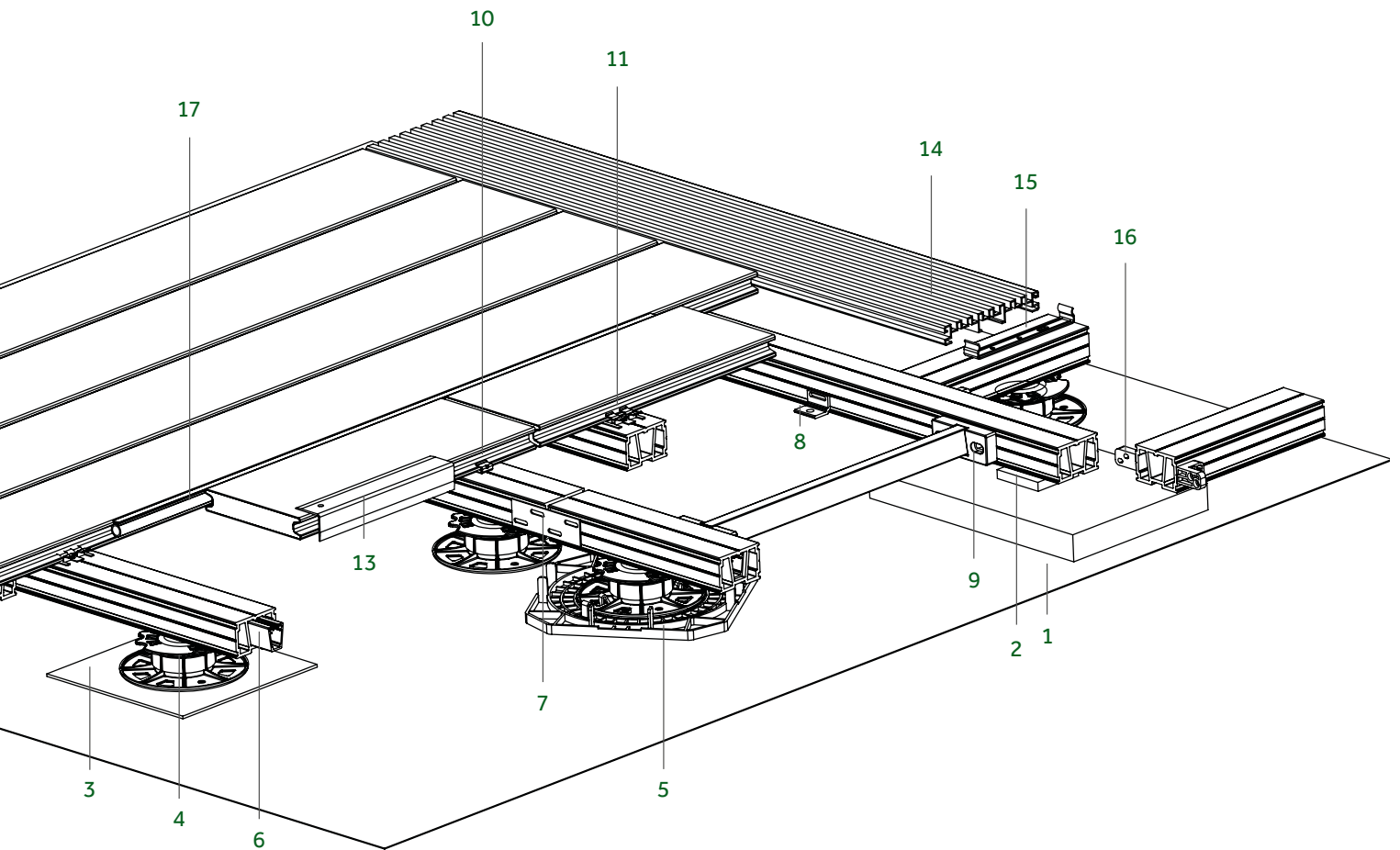
Concealed fastening

All decking boards can be fastened in a concealed way. The tried and tested NaturinForm clip system is used for this purpose. It ensures easy mounting of the decking boards, provides an even installation pattern without annoying screw heads and enables easy subsequent replacement of decking boards.



Electrostatic charges

As with all polymer capped decking, in certain situations electrostatic charge may occur. This phenomenon is more likely in ground insulated applications such as roof terraces and in very dry weather. NaturinForms rubber joint profile can help to minimize the incidence.



1 Weed Control Fabric
Protects against vegetation under the terrace

2 Rubber Pad
Levelling material for solid bases
min. 6–8 per m²

Cork Pad
Levelling material for solid bases
min. 6–8 per m²

3 Cork Base
Separation layer between load dividers, e. g., decking foot and sensitive ground

4 Decking Feet
Sophisticated height adjustment, self-levelling, in four heights

5 Load Distribution Plate
To increase the foot contact area, reduces sinking into the ground

6 Base Profile WPC 2.0 incl. Profile Reinforcer
For spans of up to max. 100 cm

Base Profile ALU
For spans of up to max. 65 cm, suitable for WPC and wooden decking boards

System Profile ALU
For spans of up to max. 110 cm, suitable for decking boards with building inspectorate approval, and for WPC and wooden decking boards

7 Aluminium Profile Connector
For continuous installation of base profiles WPC and system profiles ALU

Plastic profile connector
For continuous installation of base profiles ALU

8 Mounting Bracket with an Oblong Hole
For sliding fastening of the substructure to the subsoil

9 Bracket for Cross Bracing
To brace the substructure or fasten the covers

10 Start-/End Clip
For fixing the first and last deck board to the substructure

11 Installation Clips
For fixing deck boards to the substructure

13 Alu Finishing Profile
For covering the longitudinal edges of the deck boards

14 Drainage Grid
For drainage and rear ventilation of the surface

15 Fixing set
Concealed fastening of the Drainage Grid

16 Patio Construction Bracket
Universal angle bracket for e.g. covers, cross bracing and corner connections

17 Joint Profile Tube
Creates a gap-free, opaque surface and drains water (does not waterproof!)

18 Piazza Edge
140 × 20 mm, piece of 4 m, made of WPC, to cover the substructure

Sustainable alternative

The products of the Piazza family are particularly durable and can be 100 % recycled.



Durable decking boards

If natural wood is used in outdoor areas, climatic conditions such as moisture, frost and UV radiation have a strong impact on the durability of the material – despite extensive maintenance efforts, the surfaces must be replaced earlier than expected.

We have developed a material that allows for permanent use of wood in outdoor areas – while at the same time saving forest resources! We upcycle wood fibres from industry by encapsulating and protecting them polymers. This way, we can create recyclable, robust profiles that can be used in the long term thanks to their excellent material properties – all without extensive maintenance and care.



Recyclable products

Our raw materials are precious and we attach great importance to resource-saving production of our materials. This is why we ensure that our products can be recycled. We have developed our own recycling system in which off-cuts and old NaturinForm decking boards can be returned to participating retailers. The materials are collected in NaturinForm's Re-Form recycling boxes and returned to our production, where they can be recycled into new products. Due to EU cross border restrictions, at present this programme is available only in Germany.







UMWELT-PRODUKTDEKLARATION
nach ISO 14025 und EN 15958-1:1

Produktname	WPC-Terrassendielen
Produktcode	WPC-Terrassendielen
Produktbeschreibung	WPC-Terrassendielen
Produkttyp	WPC-Terrassendielen
Produktgruppe	WPC-Terrassendielen
Produktfamilie	WPC-Terrassendielen
Produktlinie	WPC-Terrassendielen
Produktvariante	WPC-Terrassendielen
Produktfarbe	WPC-Terrassendielen
Produktmaterial	WPC-Terrassendielen
Produktgewicht	WPC-Terrassendielen
Produktlänge	WPC-Terrassendielen
Produktbreite	WPC-Terrassendielen
Produktstärke	WPC-Terrassendielen
Produktvolumen	WPC-Terrassendielen
Produktfläche	WPC-Terrassendielen
Produktgewicht pro m ²	WPC-Terrassendielen
Produktgewicht pro m ³	WPC-Terrassendielen
Produktgewicht pro l	WPC-Terrassendielen
Produktgewicht pro kg	WPC-Terrassendielen
Produktgewicht pro t	WPC-Terrassendielen
Produktgewicht pro m ³	WPC-Terrassendielen
Produktgewicht pro l	WPC-Terrassendielen
Produktgewicht pro kg	WPC-Terrassendielen
Produktgewicht pro t	WPC-Terrassendielen

WPC-Terrassendielen
Verband der Deutschen Holzwerkstoffindustrie
e.V.



www.vdhwi.de



Scan the
QR-Code
now
& discover
more

Over 20 years of expertise.

We are a leading expert for WPC products and a family company with a passion for making outdoor living better. Designed and produced in Germany, our premium WPC decking, facades, sun screens and fencing have been installed across Europe and beyond.

A superior material

Through careful selection and grading of the wood, we are able to produce WPC products with both a higher wood content and better fibre encapsulation. This enables a more natural wood feel, better mechanical performance, and a longer life.

With up to 70% PEFC certified German spruce and pine fibres, encapsulated in and protected by clean polymer, our products are recyclable, conform to the European standard for toy safety, and are pvc free, as well as splinter free.

Commitment to quality

Strict controls and regular testing are implemented to ensure a consistent high quality level. As a member of the Qualitätsgemeinschaft Holzwerkstoffe e. V., the quality association for wood materials, NaturinForm is a leader in controlled quality production.



Slip-resistant

Slip resistance classes 9–13
DIN 51130



Safety of toys

DIN EN 71-3:2019



Very durable

Durability class 1
DIN CEN/TS 15083-1



Fire behaviour

Class E, comparable to wood
DIN EN 13501-1

Service

In addition to creating premium, beautiful and high performance products, NaturinForm offers a full range of technical support services.

In cooperation with our specialist retail partners, we help you selecting the right NaturinForm decking board.



Free samples
Simply order online



Specialist dealer search
Find a local dealer



Online configurator
incl. PDF material list



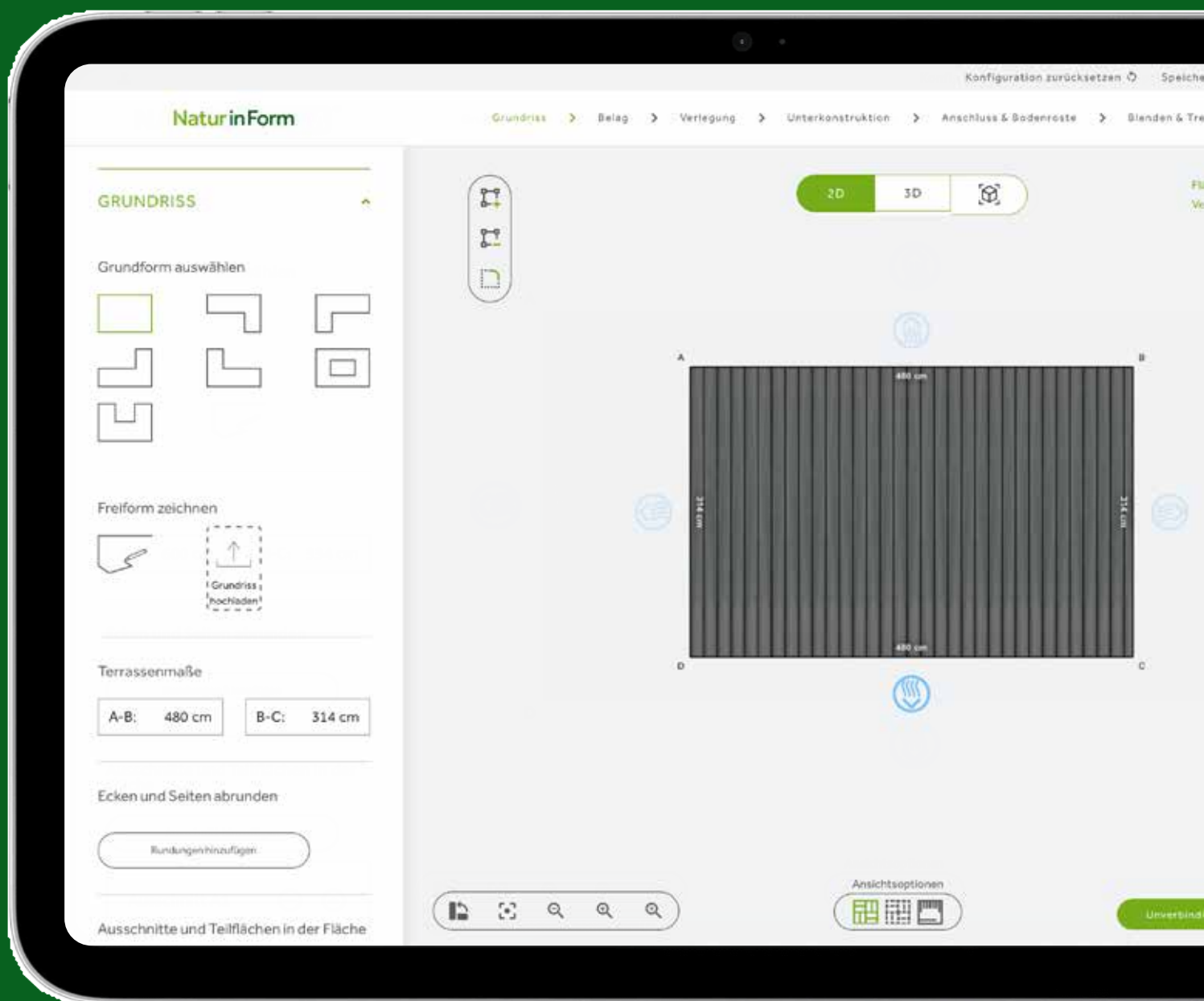
Construction site delivery
Easy & uncomplicated



Installation videos
On our YouTube channel



Inspirations
On Instagram, Facebook & co.



Online configurator

In cooperation with our regional specialist retail partners, we support you with your project planning! We invite you to use our online configurator for this purpose. The 3D and AR view immediately provides you with a realistic impression – ideal for tenders and internal coordination.



Any questions about the configurator?
Mail to: ott@naturinform.com

Material characteristics

The premium wood plastic made by NaturinForm is a material combination consisting of 70 % wooden fibres of pine and spruce, ca. 30 % food-safe HDPE, UV stabilizers and colour pigments. The material is highly durable and requires minimal maintenance. The mono-extruded profiles feature the same material throughout, have a particularly natural wood look and feel, and can be cut and profiled. The co-extruded profiles have an additional 100% polymer surface layer that provides enhanced colour durability and stain resistance.

Advantages

All our deck boards are barefoot friendly, free from splinters, will not crack or deform, and are slip resistant. The boards with a brushed surface offer the maximum slip resistance. With minimal maintenance required, the decks are designed to be enjoyed, not to be an additional chore. Time, labour, materials and money are saved, as annual oiling or painting is avoided. Special lengths from 2 m to 13 m are possible.

Colour development

The colours of the Piazza family are subject to slight colour variation. During manufacturing, we pay attention to produce a homogeneous quality, if possible. Fluctuations of the high-quality raw material, however, may still result in colour differences when different batches are installed. This does not compromise durability and is thus no cause for complaints.

Impact of chlorine or salt water

Chlorine and salt water have no negative effect on the characteristics of NaturinForm's premium WPC decks, facades, and privacy shields: tested according to DIN EN ISO 9227:2017-07. When installing a deck in close proximity to chlorine water or sea spray / water, stainless steel V4A installation clips must be used, instead of standard stainless steel clips.

Temperature induced board expansion & shrinkage

NaturinForm premium WPC profiles react to temperature changes significantly less than most other WPC products. None the less, the appropriate expansion gaps must be created between the ends of boards and where boards are adjacent to walls or other fixed elements. Details can be found in the installation instructions. The hidden installation clips are designed to allow for temperature change induced expansion and contraction across both the width and lengths of the boards.

Board temperature in the sun

In warmer climates and south facing sheltered areas, the deck boards may become too hot for comfortable barefoot contact. Lighter colours will typically become less hot than darker colours.

Water stains

The natural wood feel surface of the mono-extruded decking boards may be affected by water stains, if subject to frequent dripping from eg an overhanging roof or gutter, or splashes from a hot tub or pool. The stains do not affect the performance of the boards and can usually be easily cleaned off. The Piazza family of co-extruded boards are less likely to be affected.

Electrostatic charge

An electrostatic charge can occur when the relative humidity is low. Co-extruded decks are more likely to experience this phenomenon, especially on roof terraces or other decks which are insulated from ground contact. The avoidance of metal railing and door handles can reduce the effect. NaturinForm's joint profile tube also helps to reduce electrostatic charge, but sufficient ventilation points must be created when the surface of the deck is closed.

Durability

To ensure decades' long performance of your deck, a properly prepared ground and substructure in which water can drain away is vital. The deck must be kept free from a build up of leaves or other debris which will restrict ventilation of the deck and substructure.

Maintenance and care

Maintaining a NaturinForm deck is normally very easy. Slight dirt can easily be cleaned with water from a hose pipe and gentle brushing. If there is more dirt it is possible to use a high pressure cleaner (not a steam cleaner) with a maximum of 80 bar, and keeping a distance of at least 20 cm from the deck surface. Painting or oiling to extend the decking life is unnecessary. With difficult stains, such as fat or soot, please use our specially developed biologically degradable cleaning agent. Over time, sediments such as sand from the Sahara, soot particles, or pollen can collect on the surface of any WPC product. These deposits will not permeate into the surface and can be normally be cleaned off with water. Deposits left after melting snow or winter fogs also require water and gentle brushing to clean. Metal particles from eg cutting steel handrail components or from fertilisers containing iron may cause discolouration.

Laying/requirement per square metre

For boards with a width of approx. 140 mm, you need approx. 7 boards of 1 m and approx. 16 mounting brackets with screws; depending on the local conditions, you need a base profile of 2.5 to 3 m per square metre. Patio feet: depending on the load requirements, max. 4 to 5 pcs. per sqm.

Installation direction

In the manufacturing process, some of our premium WPC products are brushed, which creates a fibre direction. Failure to observe the deck fibre direction during installation may lead to the appearance of some boards having different colour shades. The edge grooves of the boards are marked with arrows for orientation to facilitate visually uniform laying.

Installation Instructions

Comprehensive and up to date installation/assembly instructions for all NaturinForm products can read on or downloaded at www.naturinform.com/downloads Adherence to the installation / assembly instructions is the basis for the guarantee that we provide.

Disposal

It is recommended to dispose of WPC-Leftovers in bulk rubbish collectors or waste facilities. This may be chargeable. Alternatively, NaturinForm's customers can return their products (sustainable return policy.)

Return option

We are proud to be able to present you a quality product that is both sustainably produced and recyclable. In our production process we only use wooden fibres from suppliers that have been awarded the PEFC certification. This means that the wood has been sourced from sustainably managed forests which have been independently certified. NaturinForm WPC off-cuts and boards which have come to the end of their life, can be recycled into new products. Therefore we are happy to take back our original (for Germany only) NaturinForm WPC products if you deliver them to our factory in Redwitz an der Rodach, Flurstrasse 7, after we have checked that the product is clean, free of charge. As there is no legal liability for us to do so, and this is a voluntary and non-binding take-back option, we recommend you get in touch with us before returning your used WPC products to guarantee a smooth procedure.

Recyclingbox (Germany only)

Collect all the leftovers from your projects, and we will feed them 100 % directly back into our production process. Simply fill the box with NaturinForm products and register online for the recycling box to be picked up. Please note that you may only collect WPC from NaturinForm in the Re-Form-Box. Should there be products from other companies in the box, disposal will be billed according to effort, but of a minimum at 50 Euros. Unfortunately, due to EU cross border waste disposal regulations, this service is only offered in Germany for the time being. Find more information at: www.naturinform.de/recyclingbox.



We offer you the highest quality. That is why we subject our products to continuous quality controls and stress tests.



**Evaluation of resistance to wood-destroying fungi
– Durability Class 1 (very durable)**

In the department of process engineering wood materials at the Fraunhofer-Institut for wood research Wilhelm-Klauditz-Institut WKI, Braunschweig, in February 2012 the resistance of our wood composite decks was tested in accordance to DIN/TS 15534-1 (2007) and DIN ENV 12038 (2002) respectively. The evaluation was made according to the test standard (DIN CEN/TS 15083-1) with the result - Durability Class 1 - very durable.



“Safety of Toys – Part 3: Migration of specific elements” test – DIN EN 71-3:2019

In June 2025, Fraunhofer-Institut für Holzforschung Wilhelm-Klauditz-Institut WKI, Brunswick, tested various decking boards from the NaturinForm range for the “safety of toys”. The test report confirms that the material tested satisfies the thresholds according to DIN EN 71-3:2019 “Safety of Toys – Part 3: Migration of specific elements”.



PEFC-certified: HW-PEFC-CoC-0286-23

HW-Zert GmbH, notified by PEFC Deutschland e.V. , has confirms that NaturinForm GmbH uses a company monitoring system that conforms with the Chain-of-Custody-Requirements for PEFC programmes for the Endorsement of Forest Certification according to the standard PEFC ST 2002:2020 in the currently valid version (see also www.pefc.org).



Environmental product declaration according to ISO 14025 and EN 15804 EPD from the Institut Bauern and Umwelt e.V. (IBU)

‘Together with the VHI we are committed to sustainable building from EPDs for WPC patio decks and WPC facade elements at the IBU’. (Verband der Deutschen Holzwerkstoffindustrie e.V.)



Member of DGNB – German Sustainable Building Council

The DGNB is Europe’s largest network for sustainable building and has been working since 2007 for demonstrably climate-friendly buildings, liveable neighbourhoods, in short for a sustainable built environment.



Evaluation fire behaviour - Class E

The ift Rosenheim GmbH tested *Popular* for its fire behaviour according to DIN EN 13501-1 with the result Class E. This is very comparable to wood.



Slip resistance evaluation - DIN 51130 and DIN 51097

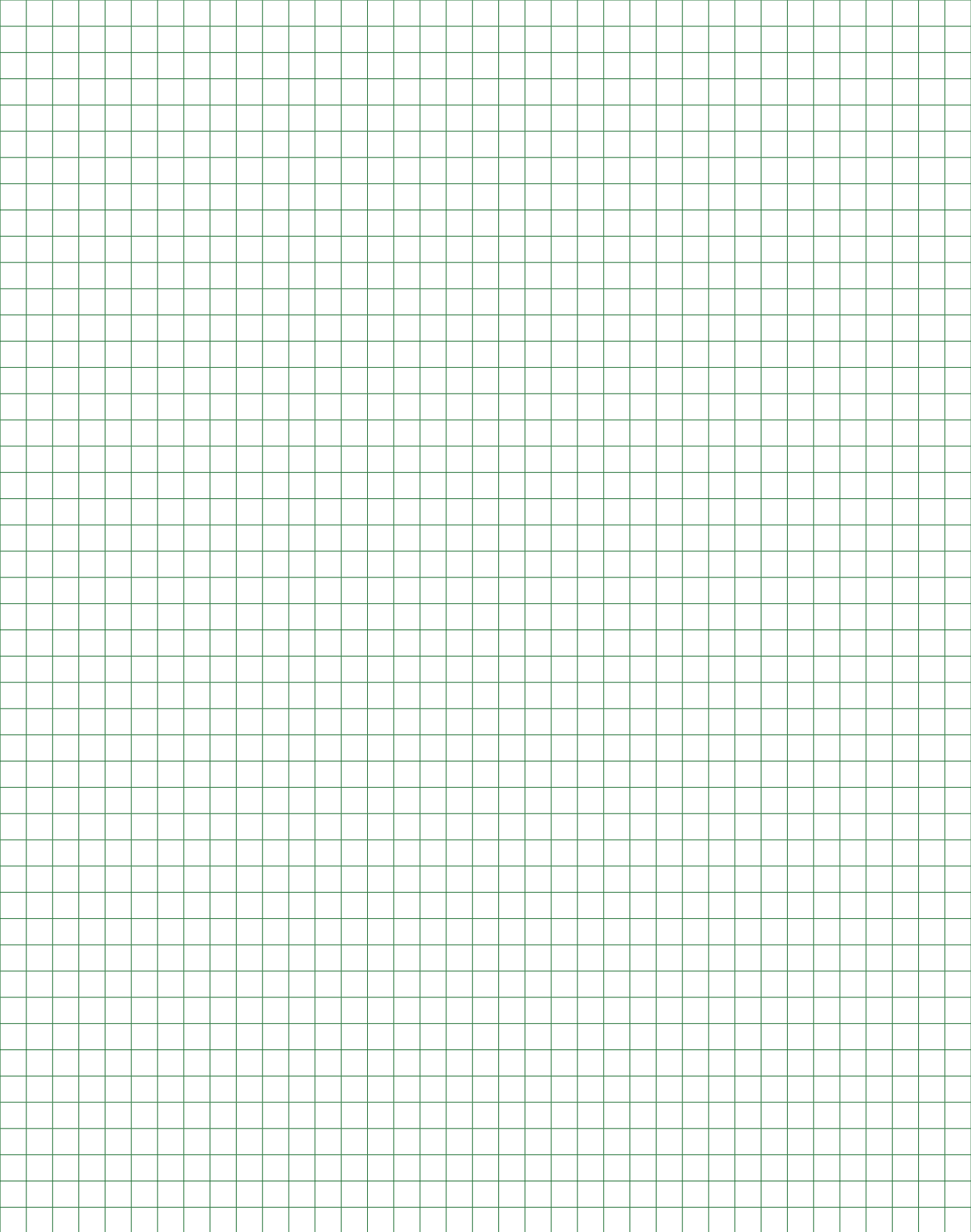
Our brushed deck surfaces have a very high slip resistance level - even when wet - and therefore are very suitable for public areas (swimming pools, kindergardens, hotel patios, etc.). The individual product tests were conducted by the TÜV Rheinland / LGA, according to DIN 51130. The test results can be found on the respective product pages.



Qualitätsgemeinschaft Holzwerkstoffe e.V. Berlin

As a member of the Qualitätsgemeinschaft Holzwerkstoffe e.V. Berlin, NaturinForm GmbH is committed to strict quality management processes. Quality parameters are tested internally on a daily basis, as well as periodically at external testing institutes. Our wood composite material quality consists to 100 % of German wood fibres with the PEFC-certification and the pure polymer used is freshly produced PE.

Space for notes





Scan
now &
get
inspired

Natur inForm

NaturinForm GmbH

Flurstrasse 7, 96257 Redwitz a. d. Rodach

Phone +49 (0) 9574 65473-0

Fax +49 (0) 9574 65473-20

info@naturinform.com

www.naturinform.de

This publication has been carefully prepared and is subject to constant updates. The print colours may vary. Please find the current and valid version at: www.naturinform.com.

Last updated: 12.05.2026